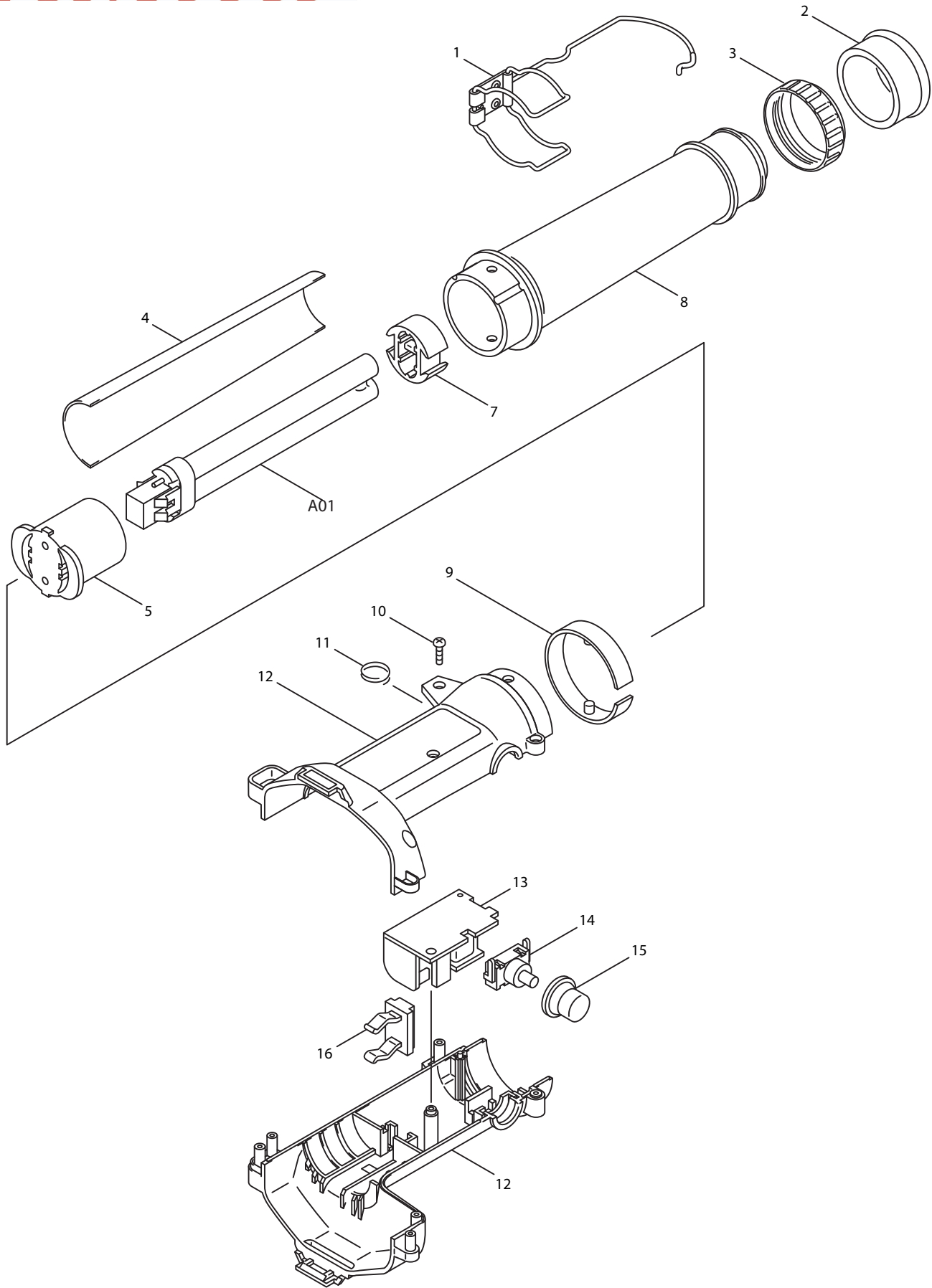




03 - 2010
ML143 / ML183
14.4V / 18V FLOURESCENT FLASHLIGHT



Item No.	Type	Sub Part No.	Description	Qty	Unit
1		SM00000300	HOOK	1	PC.
2		SM00000080	LAMP COVER PROTECTOR	1	PC.
3		SM00000316	SCREW RING	1	PC.
4		SM00000301	REFLECTOR	1	PC.
5		SM00000040	HOLDER	1	PC.
7		SM00000060	ABSORBER	1	PC.
8		SM00000070	LAMP COVER	1	PC.
9		SM00000315	C RING	1	PC.
10		265868-3	+ TAPPING SCREW 3X12	5	PC.
11		SM00000190	RING	1	PC.
12		SM00000313	HOUSING L/R SET (ML143)	1	PC.
		SM00000312	HOUSING L/R SET (ML183)	1	PC.
13		SM00000314	PRINTED CIRCUIT BOARD	1	PC.
14		SM00000030	SWITCH	1	PC.
15		SM00000020	SWITCH COVER	1	PC.
16		SM00000140	BATTERY HOLDER	1	PC.
20		655000-B	PLUG FOR CIGARETTE LIGHTER	1	PC.
<u>ACCESSORIES</u>					
A01		A-90978	FLUORESCENT TUBE	1	PC.
A02		192600-1	14.4V NI-CAD BTTRY 1422	1	PC.
		193062-6	14.4V NI-CAD BTTRY 1420	1	PC.
		193158-3	14.4V NI-MH BTTRY 1434	1	PC.
		193139-7	14.4V NI-MH BTTRY 1435	1	PC.
		192827-3	18V NI-CAD BTTRY 1822	1	PC.
		193159-1	18V NI-MH BTTRY 1834	1	PC.
		193140-2	18V NI-MH BTTRY 1835	1	PC.
A03		414938-7	BATTERY COVER	1	PC.
A04		DC1414	CHARGER DC1414	1	PC.
		DC1804	CHARGER DC1804	1	PC.
		DC1822	AUTOMOTIVE CHARGER DC1822	1	PC.